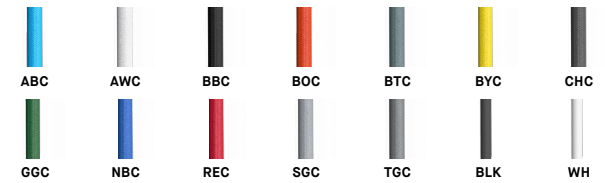


MILL Ø14" SUSPENDED

PROJECT PROJCT
SPEC TYPE
NOTES



POWER CORD FINISH FINI CÂBLE D'ALIMENTATION

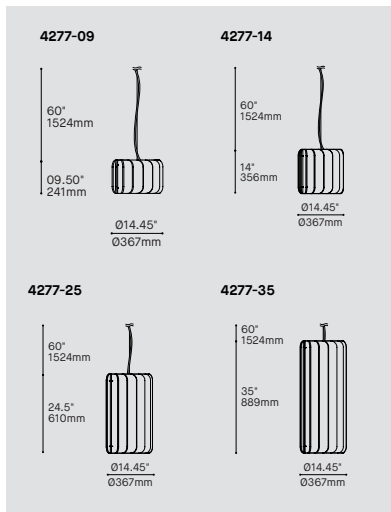
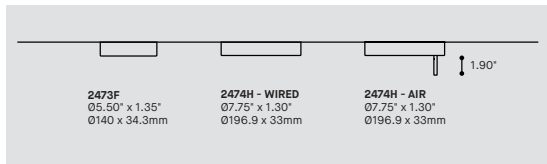


SHADE FINISH FINI ABAT-JOUR



ADDITIONAL PREMIUM COLORS AVAILABLE – SEE ACOUSTIC MATERIAL COLOR OPTIONS PAGE

MOUNTING OPTIONS OPTIONS DE MONTAGE



ORDERING SPECIFICATION	SPÉCIFICATION DE COMMANDE	CODE			
MODEL MODÈLE					
4277D-09	MILL 9.5" (DIRECT)				
4277D-14	MILL 14" (DIRECT)				
4277D-25	MILL 25" (DIRECT)				
4277D-35	MILL 35" (DIRECT)				
4277DI-09	MILL 9.5" (DIRECT + INDIRECT)				
4277DI-14	MILL 14" (DIRECT + INDIRECT)				
4277DI-25	MILL 25" (DIRECT + INDIRECT)				
4277DI-35	MILL 35" (DIRECT + INDIRECT)				
	*DIRECT AND INDIRECT LIGHT SOURCES CAN BE DIMMED INDEPENDENTLY				
LIGHT SOURCE SOURCE LUMINEUSE					
4277D					
LED.LO	LOW OUTPUT				
LED	REGULAR OUTPUT				
LED.HO	HIGH OUTPUT				
4277DI					
LED.LO.REG	LOW OUTPUT DIRECT + REGULAR OUTPUT INDIRECT				
LED.LO.HO	LOW OUTPUT DIRECT + HIGH OUTPUT INDIRECT				
LED.REG.REG	REGULAR OUTPUT DIRECT + REGULAR OUTPUT INDIRECT				
LED.REG.HO	REGULAR OUTPUT DIRECT + HIGH OUTPUT INDIRECT				
LED.HO.REG	HIGH OUTPUT DIRECT + REGULAR OUTPUT INDIRECT				
LED.HO.HO	HIGH OUTPUT DIRECT + HIGH OUTPUT INDIRECT				
COLOR TEMPERATURE TEMPÉRATURE DE COULEUR					
27*	2700K				
30	3000K				
35	3500K				
40	4000K				
	*LONGER LEAD TIME MAY APPLY, PLEASE CONTACT YOUR EUREKA REPRESENTATIVE				
COLOR RENDERING INDEX (CRI) INDICE DE RENDU DE COULEUR (IRC)					
80	80+ CRI				
90*	90+ CRI				
	*LONGER LEAD TIME MAY APPLY, PLEASE CONTACT YOUR EUREKA REPRESENTATIVE				
VOLTAGE VOLTAGE					
120V	120 VOLT				
277V	277 VOLT				
CONTROL OPTION OPTION DE CONTRÔLE					
DV	0-10V DIMMING (120V-277V)				
DP	PHASE DIMMING (120V ONLY)				
NLTAIR2*	NLIGHT AIR CONTROL GEN 2				
NLIGHT*	NLIGHT WIRED CONTROL				
	*DUAL DIMMING NOT AVAILABLE WITH NLIGHT OPTIONS				
	*REQUIRES RC2 CANOPY				
EMERGENCY BATTERY BATTERIE D'URGENCE					
	APPLIES TO DOWNLIGHT PORTION ONLY, EM DRIVER BOX INCLUDED, INSTALLED REMOTELY, SEE EM GUIDE FOR DETAILS.				
EMB*	EMERGENCY BATTERY FOR REMOTE BOX				
	*3981EA ACCESSORY IS REQUIRED				
CABLE CÂBLE		AC			
AC	AIRCRAFT MOUNTING & POWER CORD, FIELD ADJUSTABLE				
CABLE LENGTH LONGUEUR DE CÂBLE					
60	60" AIRCRAFT CABLE (STD LENGTH)				
**	CUSTOM AIRCRAFT CABLE LENGTH (PLEASE SPECIFY) FOR OVERALL LENGTH, PLEASE CONTACT YOUR EUREKA REPRESENTATIVE				
MOUNTING MONTAGE					
	ROUND CANOPY / PAVILLON ROND				
RC1	SCREWLESS CANOPY Ø5.50" X 1.35" (2473F)				
RC2	NLIGHT SCREWLESS CANOPY Ø7.75" X 1.30" (2474H)				
CANOPY FINISH FINI PAVILLON					
BLKE	BLACK FINE TEXTURE				
WHE	WHITE FINE TEXTURE				
POWER CORD FINISH FINI CÂBLE D'ALIMENTATION					
BLK	BLACK VINYL	BOC*	BLOOD ORANGE	NBC*	NAVY BLUE
WH	WHITE VINYL	BTC*	BATTLESHIP GRAY	REC*	RED
ABC*	AZURE BLUE	BYC*	BANANA YELLOW	SGC*	SILVER GRAY
AWC*	ARCTIC WHITE	CHC*	CHARCOAL	TGC*	TITANIUM GRAY
BBC*	BASIC BLACK	GGC*	GRASS GREEN		
	*TEXTILE BRAIDED CORD, ADDITIONAL COST AND LONGER LEAD TIME MAY APPLY, PLEASE CONTACT YOUR EUREKA REPRESENTATIVE				
SHADE FINISH FINI ABAT-JOUR					
ABF	AZURE BLUE FELT	BYF	BANANA YELLOW FELT	REF	RED FELT
AWF	ARCTIC WHITE FELT	CHF	CHARCOAL FELT	SGF	SILVER GRAY FELT
BBF	BASIC BLACK FELT	NBF	NAVY BLUE FELT	TGF	TITANIUM GRAY
BOF	BLOOD ORANGE FELT	OBF	OCEAN BLUE FELT	ZFF	FELT ZINFANDEL
BTF	BATTLESHIP GRAY FELT	PGF	PEAR GREEN FELT		
PREMIUM*	PLEASE SPECIFY PREMIUM COLOR CODE – SEE ACOUSTIC MATERIAL COLOR OPTIONS PAGE				
	*LONGER LEAD TIME MAY APPLY, PLEASE CONTACT YOUR EUREKA REPRESENTATIVE				
DIFFUSER FINISH FINI DIFFUSEUR					WH
WH	WHITE				
ACCESSORY ACCESSOIRE					
3981EA	ELECTRICAL BOX FOR EMB EMERGENCY BATTERY				



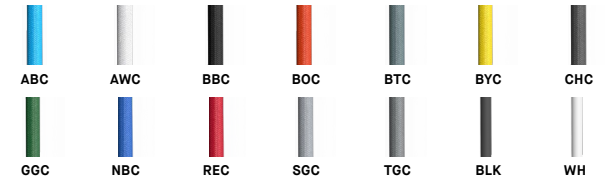
SPECIFICATION

MILL Ø14" SUSPENDED

PROJECT PROJCT
SPEC TYPE
NOTES



POWER CORD FINISH FINI CABLE D'ALIMENTATION

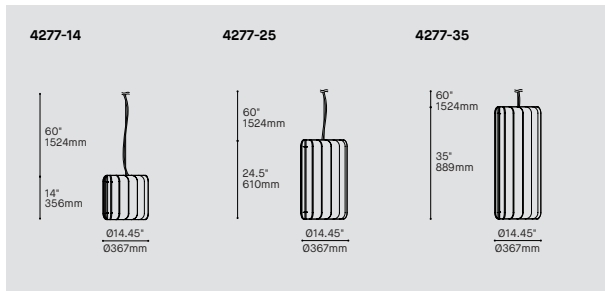
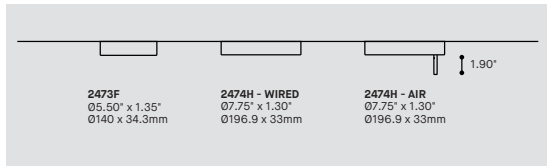


SHADE FINISH FINI ABAT-JOUR



ADDITIONAL PREMIUM COLORS AVAILABLE – SEE ACOUSTIC MATERIAL COLOR OPTIONS PAGE

MOUNTING OPTIONS OPTIONS DE MONTAGE



PRODUCT CHARACTERISTICS CARACTÉRISTIQUES DU PRODUIT



ORDERING SPECIFICATION SPÉCIFICATION DE COMMANDE

MODEL MODÈLE		CODE			
4277D-14	MILL 14" (DIRECT)				
4277D-25	MILL 25" (DIRECT)				
4277D-35	MILL 35" (DIRECT)				
4277DI-14	MILL 14" (DIRECT + INDIRECT)				
4277DI-25	MILL 25" (DIRECT + INDIRECT)				
4277DI-35	MILL 35" (DIRECT + INDIRECT)				
*DIRECT AND INDIRECT LIGHT SOURCES CAN BE DIMMED INDEPENDENTLY					
LIGHT SOURCE SOURCE LUMINEUSE					
4277D					
LED.LO	LOW OUTPUT				
LED	REGULAR OUTPUT				
LED.HO	HIGH OUTPUT				
4277DI					
LED.LO.REG	LOW OUTPUT DIRECT + REGULAR OUTPUT INDIRECT				
LED.LO.HO	LOW OUTPUT DIRECT + HIGH OUTPUT INDIRECT				
LED.REG.REG	REGULAR OUTPUT DIRECT + REGULAR OUTPUT INDIRECT				
LED.REG.HO	REGULAR OUTPUT DIRECT + HIGH OUTPUT INDIRECT				
LED.HO.REG	HIGH OUTPUT DIRECT + REGULAR OUTPUT INDIRECT				
LED.HO.HO	HIGH OUTPUT DIRECT + HIGH OUTPUT INDIRECT				
COLOR TEMPERATURE TEMPÉRATURE DE COULEUR					
27*	2700K				
30	3000K				
35	3500K				
40	4000K				
* LONGER LEAD TIME MAY APPLY, PLEASE CONTACT YOUR EUREKA REPRESENTATIVE					
COLOR RENDERING INDEX (CRI) INDICE DE RENDU DE COULEUR (IRC)					
80	80+ CRI				
90*	90+ CRI				
* LONGER LEAD TIME MAY APPLY, PLEASE CONTACT YOUR EUREKA REPRESENTATIVE					
VOLTAGE VOLTAGE					
120V	120 VOLT				
277V	277 VOLT				
CONTROL OPTION OPTION DE CONTRÔLE					
DV	0-10V DIMMING (120V-277V)				
DP	PHASE DIMMING (120V ONLY)				
NLTAIR2*	NLIGHT AIR CONTROL GEN 2				
NLIGHT*	NLIGHT WIRED CONTROL				
*DUAL DIMMING NOT AVAILABLE WITH NLIGHT OPTIONS					
*REQUIRES RC2 CANOPY					
EMERGENCY BATTERY BATTERIE D'URGENCE					
APPLIES TO DOWNLIGHT PORTION ONLY. EM DRIVER BOX INCLUDED, INSTALLED REMOTELY. SEE EM GUIDE FOR DETAILS.					
EMB*	EMERGENCY BATTERY FOR REMOTE BOX				
*3981EA ACCESSORY IS REQUIRED					
CABLE CÂBLE		AC			
AC	AIRCRAFT MOUNTING & POWER CORD, FIELD ADJUSTABLE				
CABLE LENGTH LONGUEUR DE CÂBLE					
60	60" AIRCRAFT CABLE (STD LENGTH)				
**	CUSTOM AIRCRAFT CABLE LENGTH (PLEASE SPECIFY)				
FOR OVERALL LENGTH, PLEASE CONTACT YOUR EUREKA REPRESENTATIVE					
MOUNTING MONTAGE					
ROUND CANOPY / PAVILLON ROND					
RC1	SCREWLESS CANOPY Ø5.50" X 1.35" (2473F)				
RC2	NLIGHT SCREWLESS CANOPY Ø7.75" X 1.30" (2474H)				
CANOPY FINISH FINI PAVILLON					
BLKE	BLACK FINE TEXTURE				
WHE	WHITE FINE TEXTURE				
POWER CORD FINISH FINI CABLE D'ALIMENTATION					
BLK	BLACK VINYL	BOC*	BLOOD ORANGE	NBC*	NAVY BLUE
WH	WHITE VINYL	BTC*	BATTLESHIP GRAY	REC*	RED
ABC*	AZURE BLUE	BYC*	BANANA YELLOW	SGC*	SILVER GRAY
AWC*	ARCTIC WHITE	CHC*	CHARCOAL	TGC*	TITANIUM GRAY
BBC*	BASIC BLACK	GCC*	GRASS GREEN	CLR	CLEAR
*TEXTILE BRAIDED CORD, ADDITIONAL COST AND LONGER LEAD TIME MAY APPLY, PLEASE CONTACT YOUR EUREKA REPRESENTATIVE					
SHADE FINISH FINI ABAT-JOUR					
ABF	AZURE BLUE FELT	BYF	BANANA YELLOW FELT	REF	RED FELT
AWF	ARCTIC WHITE FELT	CHF	CHARCOAL FELT	SGF	SILVER GRAY FELT
BBF	BASIC BLACK FELT	NBF	NAVY BLUE FELT	TGF	TITANIUM GRAY
BOF	BLOOD ORANGE FELT	OBF	OCEAN BLUE FELT	ZFF	FELT ZINFANDEL FELT
BTF	BATTLESHIP GRAY FELT	PGF	PEAR GREEN FELT		
PREMIUM*	PLEASE SPECIFY PREMIUM COLOR CODE – SEE ACOUSTIC MATERIAL COLOR OPTIONS PAGE				
* LONGER LEAD TIME MAY APPLY, PLEASE CONTACT YOUR EUREKA REPRESENTATIVE					
DIFFUSER FINISH FINI DIFFUSEUR					WH
WH	WHITE				
ACCESSORY ACCESSOIRE					
3981EA	ELECTRICAL BOX FOR EMB EMERGENCY BATTERY				

MILL Ø14" SUSPENDED

QUICKSHIP

PROJECT PROJET

SPEC TYPE

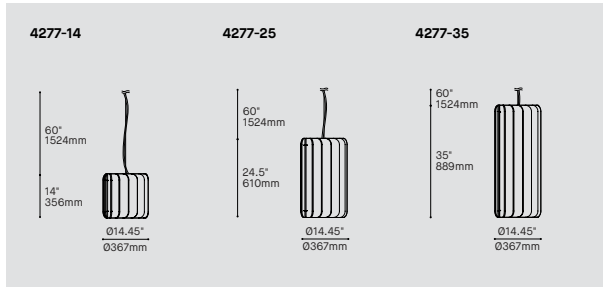
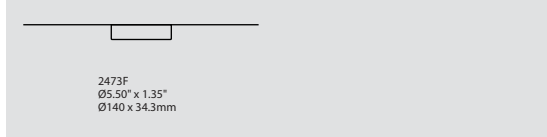
NOTES



SHADE FINISH FINI ABAT-JOUR



MOUNTING OPTIONS OPTIONS DE MONTAGE



PRODUCT CHARACTERISTICS CARACTÉRISTIQUES DU PRODUIT



ORDERING SPECIFICATION SPÉCIFICATION DE COMMANDE

CODE

QUICKSHIP

QS5 QUICKSHIP 5 DAYS - MAXIMUM 5 UNITS QUICKSHIP 5 JOURS - MAXIMUM 5 UNITÉS
 QS10 QUICKSHIP 10 DAYS - MAXIMUM 20 UNITS QUICKSHIP 10 JOURS - MAXIMUM 20 UNITÉS

MODEL MODÈLE

4277D-14 MILL 14" (DIRECT)
 4277D-25 MILL 25" (DIRECT)
 4277D-35 MILL 35" (DIRECT)
 4277DI-14 MILL 14" (DIRECT + INDIRECT)
 4277DI-25 MILL 25" (DIRECT + INDIRECT)
 4277DI-35 MILL 35" (DIRECT + INDIRECT)
 *DIRECT AND INDIRECT LIGHT SOURCES CAN BE DIMMED INDEPENDENTLY

LIGHT SOURCE SOURCE LUMINEUSE

4277D
 LED.LO LOW OUTPUT
 LED REGULAR OUTPUT
 LED.HO HIGH OUTPUT

4277DI

LED.LO.REG LOW OUTPUT DIRECT + REGULAR OUTPUT INDIRECT
 LED.LO.HO LOW OUTPUT DIRECT + HIGH OUTPUT INDIRECT
 LED.REG.REG REGULAR OUTPUT DIRECT + REGULAR OUTPUT INDIRECT
 LED.REG.HO REGULAR OUTPUT DIRECT + HIGH OUTPUT INDIRECT
 LED.HO.REG HIGH OUTPUT DIRECT + REGULAR OUTPUT INDIRECT
 LED.HO.HO HIGH OUTPUT DIRECT + HIGH OUTPUT INDIRECT

COLOR TEMPERATURE TEMPÉRATURE DE COULEUR

30 3000K
 35 3500K

COLOR RENDERING INDEX (CRI) INDICE DE RENDU DE COULEUR (IRC)

80 80+ CRI **80**

VOLTAGE VOLTAGE

120V 120 VOLT
 277V 277 VOLT

CONTROL OPTION OPTION DE CONTRÔLE

DV 0-10V DIMMING (120V-277V)
 DP PHASE DIMMING (120V ONLY)

CABLE CÂBLE

AC AIRCRAFT MOUNTING & POWER CORD, FIELD ADJUSTABLE **AC**

CABLE LENGTH LONGUEUR DE CÂBLE

60 60" AIRCRAFT CABLE (STD LENGTH)
 ** CUSTOM AIRCRAFT CABLE LENGTH (PLEASE SPECIFY)
 FOR OVERALL LENGTH, PLEASE CONTACT YOUR EUREKA REPRESENTATIVE

MOUNTING MONTAGE

RC1 ROUND CANOPY / PAVILLON ROND
 SCREWLESS CANOPY Ø5.50" X 1.35" (2473F)

CANOPY FINISH FINI PAVILLON

BLKE BLACK FINE TEXTURE
 WHE WHITE FINE TEXTURE

POWER CORD FINISH FINI CÂBLE D'ALIMENTATION

BLK BLACK POWER CORD
 WH WHITE POWER CORD
 CLR CLEAR POWER CORD

SHADE FINISH FINI ABAT-JOUR

ABF AZURE BLUE FELT	BYF BANANA YELLOW FELT	REF RED FELT
AWF ARCTIC WHITE FELT	CHF CHARCOAL FELT	SGF SILVER GRAY FELT
BBF BASIC BLACK FELT	NBF NAVY BLUE FELT	TGF TITANIUM GRAY FELT
BOF BLOOD ORANGE FELT	OBF OCEAN BLUE FELT	ZFF ZINFANDEL FELT
BTF BATTLESHIP GRAY FELT	PGF PEAR GREEN FELT	

DIFFUSER FINISH FINI DIFFUSEUR

WH WHITE **WH**



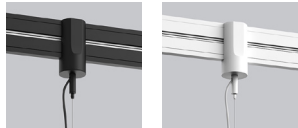
SPECIFICATION

MILL 4277D-14 FOR ARENA 82X0

PROJECT PROJCT
SPEC TYPE
NOTES



ADAPTER FINISH FINI DE L'ADAPTATEUR

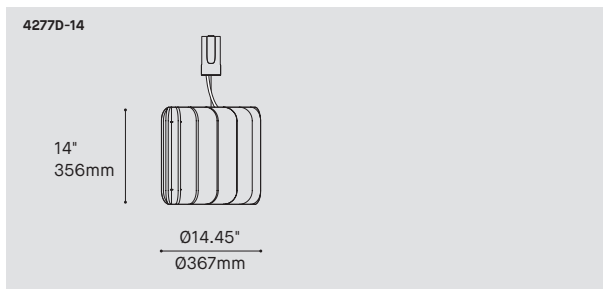


BLKE WHE

SHADE FINISH FINI ABAT-JOUR



ADDITIONAL PREMIUM COLORS AVAILABLE - SEE ACOUSTIC MATERIAL COLOR OPTIONS PAGE



ORDERING SPECIFICATION	SPÉCIFICATION DE COMMANDE	CODE
MODEL MODÈLE	4277D-14 MILL DIRECT 14"	4277D-14
LIGHT SOURCE SOURCE LUMINEUSE	LEDA*	LEDA
* TOTAL DC LOAD OF INSTALLED LIGHT SOURCES MUST NOT EXCEED 90W OR 180W DEPENDING ON THE SELECTED OPTION		
COLOR TEMPERATURE TEMPÉRATURE DE COULEUR	27* 2700K 30 3000K 35 3500K 40 4000K	
*LONGER LEAD TIME MAY APPLY, PLEASE CONTACT YOUR EUREKA REPRESENTATIVE		
COLOR RENDERING INDEX INDICE DE RENDU DE COULEUR (IRC)	80 80+ CRI 90* 90+ CRI	
*LONGER LEAD TIME MAY APPLY, PLEASE CONTACT YOUR EUREKA REPRESENTATIVE		
CABLE CÂBLE	AC AIRCRAFT MOUNTING & POWER CORD, FIELD ADJUSTABLE	AC
CABLE LENGTH LONGUEUR DE CÂBLE	24 24" CABLE (STD LENGTH) ** CUSTOM CABLE LENGTH (PLEASE SPECIFY)	
MOUNTING MONTAGE	TAA ARENA ADAPTOR FOR ARENA SQUARE & RECTANGLE 8220 & ARENA STRAIGHT 8210 TAB ARENA ADAPTOR FOR ARENA RING 8200	
ADAPTER FINISH FINI ADAPTATEUR	BLKE BLACK FINE TEXTURED WHE WHITE FINE TEXTURED	
POWER CORD FINISH FINI ADAPTATEUR	BLK BLACK POWER CORD WH WHITE POWER CORD	
SHADE FINISH FINI ABAT-JOUR	ABF AZURE BLUE FELT BYF BANANA YELLOW FELT REF RED FELT AWF ARCTIC WHITE FELT CHF CHARCOAL FELT SGF SILVER GRAY FELT BBF BASIC BLACK FELT NBF NAVY BLUE FELT TGF TITANIUM GRAY FELT BOF BLOOD ORANGE FELT OBF OCEAN BLUE FELT ZFF ZINFANDEL FELT BTF BATTLESHIP GRAY FELT PGF PEAR GREEN FELT	
PREMIUM* PLEASE SPECIFY PREMIUM COLOR CODE - SEE ACOUSTIC MATERIAL COLOR OPTIONS PAGE		
*LONGER LEAD TIME MAY APPLY, PLEASE CONTACT YOUR EUREKA REPRESENTATIVE		
DIFFUSER FINISH FINI DIFFUSEUR	WH WHITE	WH

PRODUCT CHARACTERISTICS CARACTÉRISTIQUES DU PRODUIT



DESIGN: With its fifteen acoustic panels shade, Mill offers an original soft aesthetic and atmosphere enhancing functionality. Mill will help with volume control while adding a stunning design element to the decor. The custom CNC cut rigid felt acoustic panels are available in 30 colors. Composed of at least 40% of recycled polyethylene bottles (PET) which make them recyclable and odorless.

INSTALLATION: Magnetically positioned anywhere on the ARENA for easy on-site installation or reconfiguration of the lighting environment. The adapter has a hook for extra safety. This pendant offers evenly diffused lighting with a COB light source.

LIGHT SOURCE: Custom designed aluminum base offered in white or black architectural grade finish.

ADAPATER: c-CSA-us

CERTIFIED:

CONCEPTION: Avec son abat-jour de quinze panneaux acoustiques, Mill offre une esthétique et une atmosphère douce améliorant sa fonctionnalité. Mill vous aidera à contrôler le volume sonore de l'espace tout en ajoutant un élément de design époustoufflant au décor. Découpés sur mesure, les panneaux acoustiques en feutre synthétique rigide sont disponibles en 30 couleurs. Composés principalement d'au moins 40% de bouteilles de polyéthylène recyclées (PET), ces panneaux sont recyclables et inodores.

INSTALLATION: Positionné magnétiquement n'importe où sur l'ARENA pour faciliter l'installation ou la reconfiguration de l'éclairage sur site. L'adaptateur est muni d'un crochet pour une double sécurité.

SOURCE LUMINEUSE: Pourvu d'une source lumineuse de type COB, ce luminaire offre un éclairage uniforme.

ADAPTATEUR: Base en aluminium conçu sur mesure offert avec une finition noire ou blanche de grade architectural.

CERTIFIÉ: c-CSA-us

Acoustic Material Color Options for Mill



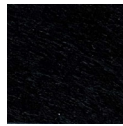
Standard colors



ABF
Azure Blue



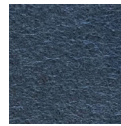
AWF
Arctic White



BBF
Basic Black



BOF
Blood Orange



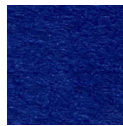
BTF
Battleship Gray



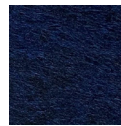
BYF
Banana Yellow



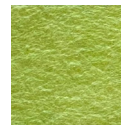
CHF
Charcoal



NBF
Navy Blue



OBF
Ocean Blue



PGF
Pear Green



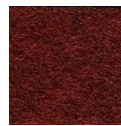
REF
Red



SGF
Silver Gray



TGF
Titanium Gray



ZFF
Zinfandel

Premium colors



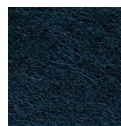
BGF
Bubble Gum



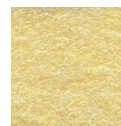
BKF
Bark Brown



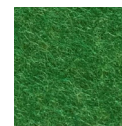
DBF
Denim Blue



DTF
Deep Teal Green



DYF
Daisy Yellow



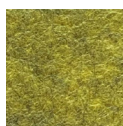
GGF
Grass Green



LBF
Light Beige



LGF
Lime Green



MGF
Moss Green



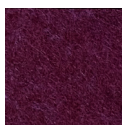
OAF
Oak Brown



PBF
Peanut Brown



PNF
Pinot Noir



PPF
Plum Purple



SBF
Sky Blue



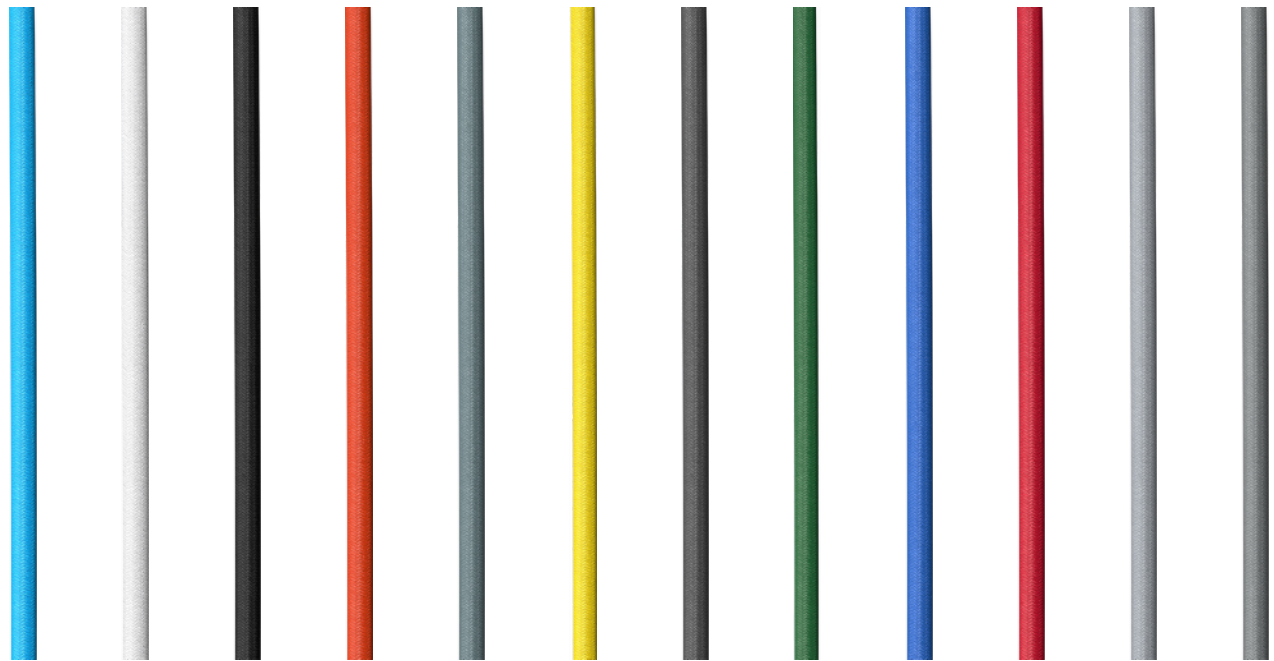
TOF
Tangerine Orange



TPF
Tulip Purple

- Premium colors carry extended lead times. Additional fees may apply for expedited lead times. Please consult factory.
- Due to the dye process, colors may vary slightly from batch to batch.

Cable Color Options for Mill

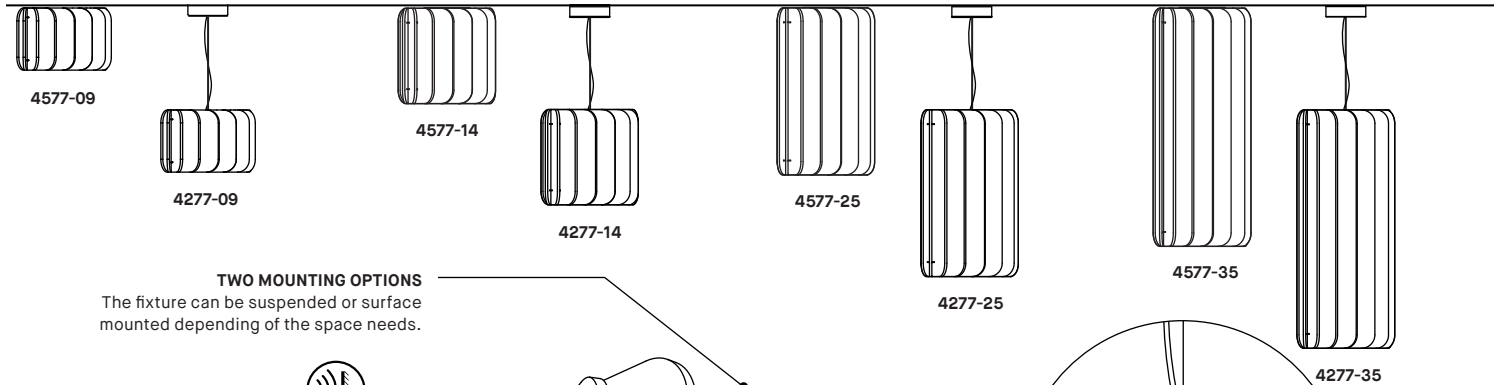


ABC Azure Blue	AWC Arctic White	BBC Basic Black	BOC Blood Orange	BTC Battleship Gray	BYC Banana Yellow	CHC Charcoal	GGC Grass Green	NBC Navy Blue	REC Red	SGC Silver Gray	TGC Titanium Gray
-----------------------------	-------------------------------	------------------------------	-------------------------------	----------------------------------	--------------------------------	------------------------	------------------------------	----------------------------	-------------------	------------------------------	--------------------------------

The cable has a $\varnothing 0.265$ in (direct) or $\varnothing 0.375$ in (direct+indirect) and is covered with a decorative braided sleeve.

- Longer lead time may apply.
- Colors shown for visual reference only.
- Due to the dye process, colors may vary slightly from batch to batch.
- Consult your sales representative or factory to get a sample.

MILL Ø14"



TWO MOUNTING OPTIONS
The fixture can be suspended or surface mounted depending of the space needs.



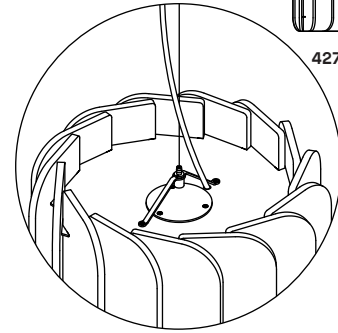
NOISE REDUCTION
The arrangement of the 15 vertical panels increases the effective surface area of sound absorbing material optimizing the acoustic performance of the luminaire.
The panels are available in 30 colors.
For all color options, refer to the Acoustic Material Color Options page.

RECYCLED PANELS
Custom CNC cut panels composed of polyester fibers (PET) with 42% recycled content. 100% recyclable, non-toxic, non-allergenic and non-irritable. The material is also low VOC and fire rated.



FLEXIBLE ENGINES
LOW, REG and HIGH output light engine allows for a wide range of applications.

ACOUSTIC COLUMNS
Mill is hollow and it benefits the sound absorption capacities. The sound gets trapped inside the luminaire and is absorbed by the felt blades, but from within.



4277DI

TRUE UPLIGHT
The suspended version offers an optional second light source with a great uplight performance. Both light sources can be dimmed separately. We recommend a minimum suspension of 22" for a diffused uplight.

CLEANING

A proper and regular cleaning will help extend the lifespan of acoustic products. Remove dust with a vacuum cleaner and light stains with a damp cloth. For greasy and deep stains, a professional dry clean is recommended. Do not use any abrasive, soap, or chemical cleaner.

PRODUCT SPECIFICATION

Ø14" DIRECT

Ø14" INDIRECT

PERFORMANCE	LO	REG	HO	REG	HO
SYSTEM WATTAGE	14.4W	31.8W	50W	14.4W	20.6W
DELIVERED LUMENS (4000K - SGF)	884LM	1732LM	2626LM	987LM	1342LM
EFFICACY	61LM/W	54LM/W	52LM/W	68LM/W	65LM/W

* Expect a 10% decrease in performance for CHF, REF and NBF (direct).

OTHER INFORMATIONS

	09"	14"	25"	35"	14"	25"	35"
LUMINAIRE'S WEIGHT	11LBS	11.3LBS	13LBS	15.2LBS	11.8LBS	13.5LBS	15.7LBS
L70 (LUMEN MAINTENANCE) DIRECT				> 63600 HRS			> 63600 HRS
L70 (LUMEN MAINTENANCE) INDIRECT				N/A			> 55000 HRS
FELT	HIGH DENSITY 9MM POLYESTER FELT						
ACOUSTIC	ACOUSTIC MATERIAL RATED AT 0.75 N						
FIRE RATING	ASTM E84-13 (FELT MATERIAL ONLY)						

WELL & LEED STANDARD REQUIREMENTS

MAX. LUMINANCE 45°-90° OF NADIR	2180 CD/M2
LIGHT QUALITY	R9 > 50 (90 CRI OPTION)
FLICKERING TOLERANCE	LOW FLICKER, COMPLIANT TO CALIFORNIA TITLE 24

EFFICACY MULTIPLIERS

CRI	CCT	FACTOR
80+	4000K	1.14
80+	3500K	1.11
80+	3000K	1.08
80+	2700K	1.04
90+	4000K	1.00
90+	3500K	0.98
90+	3000K	0.94
90+	2700K	0.91

LIGHT DISTRIBUTION



Ø14" DIRECT

Ø14" DIRECT/INDIRECT

0

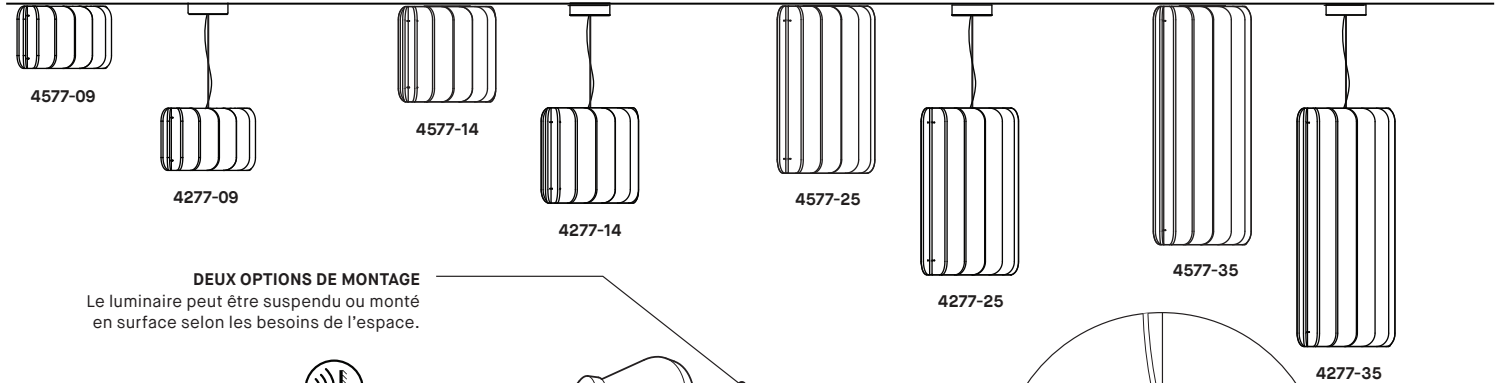


Visit our website for warranty terms and conditions.



TECHNICAL DATA

MILL Ø14"



DEUX OPTIONS DE MONTAGE

Le luminaire peut être suspendu ou monté en surface selon les besoins de l'espace.



ATTÉNUATION DU BRUIT

La superposition des 15 panneaux verticaux augmente la surface effective du matériau insonorisant, optimisant les performances acoustiques du luminaire. Les panneaux sont disponibles en 30 couleurs. Pour toutes options de couleurs, consulter la page d'options de couleurs de matérielle acoustique.

PANNEAUX RECYCLÉS

Panneaux composés de fibres de polyester (PET) avec 42% de matière recyclées. 100% recyclable, non-toxique, non-allergène et non-irritable. Faible teneur en COV et résistance au feu.

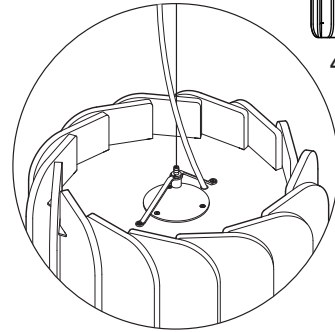


SOURCES POLYVALENTES

Source LOW, REG et HO permettent une grande variété d'applications.

COLONNES ACOUSTIQUES

Mill est creux et profite des capacités d'absorption acoustique. Le son est emprisonné à l'intérieur du luminaire et est absorbé par les panneaux de feutre, mais de l'intérieur.



4277DI

SOURCE INDIRECTE PUISSANTE

La version suspension offre en option une seconde source lumineuse pour offrir un éclairage indirect performant. Les deux sources peuvent se régler séparément. Nous recommandons une suspension minimum de 22" pour avoir une lumière indirecte diffuse.

NETTOYAGE

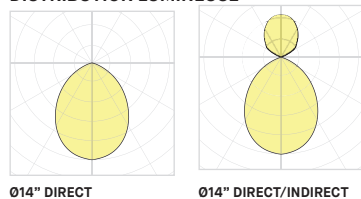
Un nettoyage approprié et régulier contribuera à prolonger la durée de vie des produits acoustiques. Enlever la poussière avec un aspirateur et les taches légères avec un linge humide. Pour les taches importantes ou grassieuses, un nettoyage à sec est recommandé. Ne pas utiliser de produits abrasifs, de savon ou de produits nettoyants chimiques.

SPÉCIFICATION PRODUIT	Ø14" DIRECT			Ø14" INDIRECT		
	LO	REG	HO	REG	HO	
PERFORMANCE						
PUISSANCE TOTALE	14.4W	31.8W	50W	14.4W	20.6W	
LUMENS RÉELS DIRECT (4000K - SGF)	884LM	1732LM	2626LM	987LM	1342LM	
LUMENS RÉELS INDIRECT (4000K - SGF)	61LM/W	54LM/W	52LM/W	68LM/W	65LM/W	
EFFICACITÉ						
* Prévoir une diminution de 10% des performances pour le CHF, REF et NBF (direct).						
AUTRES INFORMATIONS	14"	25"	35"	14"	25"	35"
POIDS DU LUMINAIRE	11.3LBS	13LBS	15.2LBS	11.8LBS	13.5LBS	15.7LBS
L70 (MAINTENANCE DE LA LUMIÈRE) DIRECT		> 63600 H		> 63600 H		
L70 (MAINTENANCE DE LA LUMIÈRE) INDIRECT		N/A		> 55000 H		
FEUTRE ACOUSTIQUE	FEUTRE DE POLYESTER HAUTE DENSITÉ 9MM					
RÉSISTANCE AU FEU	MATÉRIEL ACOUSTIQUE GRADÉ À 0.75 N					
	ASTM E84-13 (MATÉRIEL FEUTRE SEULEMENT)					
CRITÈRES DE CERTIFICATION WELL & LEED						
MAX. LUMINANCE 45°-90° NADIR	2180 CD/M 2					
QUALITÉ DE LA LUMIÈRE	R9 > 50 (OPTION 90 IRC)					
TOLÉRANCE DE CLIGNOTEMENTS	PEU DE CLIGNOTEMENT (CONFORME À CALIFORNIA TITLE 24)					

FACTEUR D'EFFICACITÉ

IRC	CCT	FACTEUR
80+	4000K	1.14
80+	3500K	1.11
80+	3000K	1.08
80+	2700K	1.04
90+	4000K	1.00
90+	3500K	0.98
90+	3000K	0.94
90+	2700K	0.91

DISTRIBUTION LUMINEUSE



Visitez notre site Web pour les termes et conditions.



DONNÉES TECHNIQUES

JUNCTION BOX 3981E

PROJECT PROJET
SPEC TYPE
NOTES

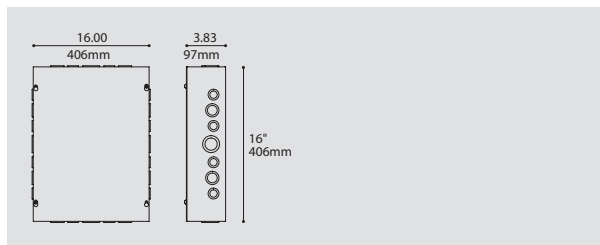


ORDERING SPECIFICATION SPÉCIFICATION DE COMMANDE CODE

MODEL MODÈLE		
3981EA	APPROX. 10W MAX EMERGENCY BACKUP POWER	
3981EB	APPROX. 5W MAX EMERGENCY BACKUP POWER	

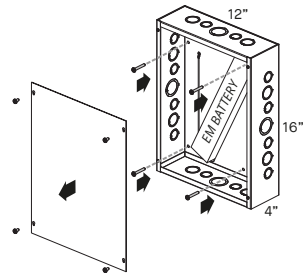
PRODUCT CHARACTERISTICS CARACTÉRISTIQUES DU PRODUIT

- DESIGN:** Remote junction box and cover with an emergency backup driver. Features matching wires and labelling to simplify installation. Is required to complete luminaires ordered with EMB remote emergency box option (selected models, refer to specification sheets. Other models possible upon request). Available in several power outputs, selected according to the luminaire power.
- STRUCTURE:** Die-stamped 16 gauge grey painted steel. Knockouts on all 4 sides from 1/2" to 1-1/4".
- CERTIFIED:** c-CSA-us, UL, RoHS, NEMA Type 1, FCC
- CONCEPTION:** Boîte de jonction à distance avec couvercle avec batterie d'urgence intégré. Contient des fils avec couleurs et étiquetage pour simplifier l'installation. Requis pour compléter un luminaire commandée avec l'option EMB (voir pages de spécification pour produits avec l'option EMB. Autres produits possibles sur demande). Disponible en plusieurs puissances, sélectionnées en fonction du luminaire.
- STRUCTURE:** Acier plié de 16 jauge peinturé gris avec coins soudés. Débouchures sur 4 côtés 1/2" à 1-1/4".
- CERTIFIÉ:** c-CSA-us, UL, RoHS, NEMA Type 1, FCC



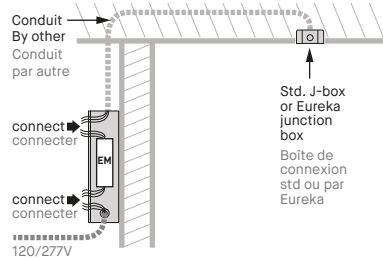
INSTALLATION SUMMARY SOMMAIRE D'INSTALLATION

STEP 1 ÉTAPE 1



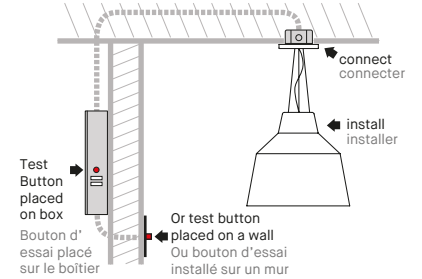
Remove cover and fasten box remotely to a wall or a ceiling.
Enlever le couvercle et fixer la boîte à distance sur un mur ou un plafond.

STEP 2 ÉTAPE 2



Run conduit from box to junction box of luminaire. Conduit must have a minimum of 5 wires with wire gauge and maximum distance as per EM driver distance chart. Connect EM driver to conduit wires and ac branch circuit. Faites passer le conduit de la boîte EM à la boîte de connexion du luminaire. Consulter le tableau de "distance maximale" disponible dans la feuille d'installation. Branchez la batterie EM avec les fils du conduit ainsi que la ligne 120V ou 277V.

STEP 3 ÉTAPE 3



Install luminaire & connect its wires to conduit. Install test button on wall or box (wall plate not supplied). Installer le luminaire & connecter les fils au conduit. Installer le bouton d'essai sur le mur ou boîtier (plaque murale non fournie).

REFER ALSO TO INSTALLATION DRAWING AND EM GUIDE FOR MORE INFORMATION.
CONSULTEZ LE DESSIN D'INSTALLATION ET LE GUIDE EM POUR PLUS D'INFORMATIONS.



3981E REMOTE EMERGENCY BOX KIT - IOTA EM DRIVER

SAFETY GUIDELINES :

- > Follow safety instructions and guidelines of EM battery/driver manufacturer for the specific model.
- > Install by qualified personnel in accordance with the National Electrical Code and local regulations.
- > Turn off power supply before installation or servicing the fixture.

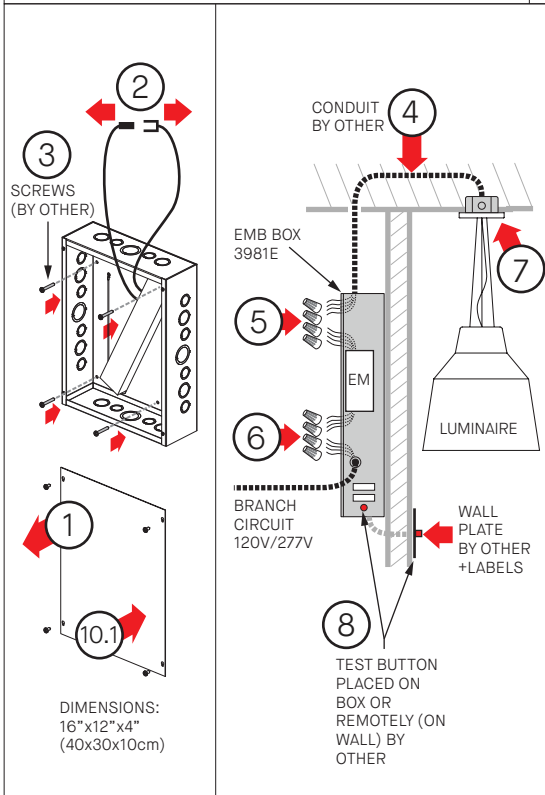
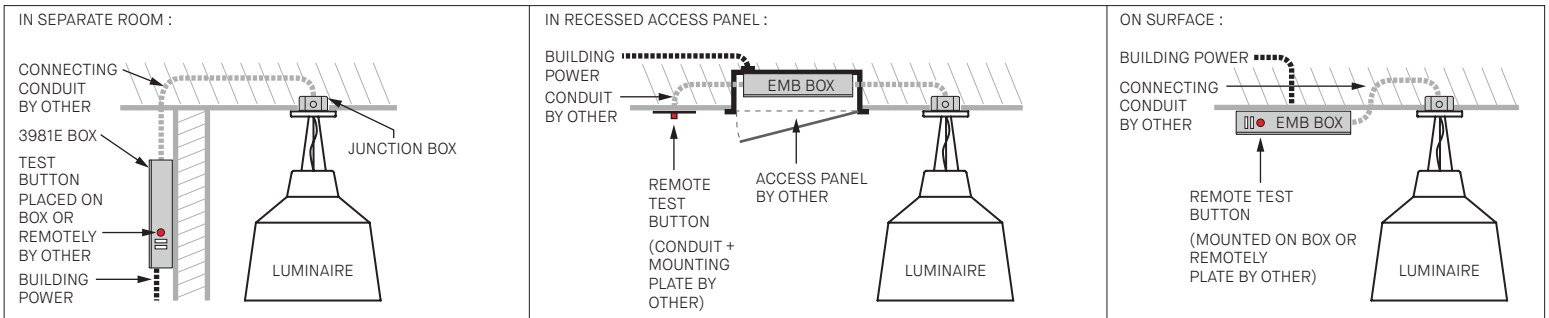
EMB LOCATION :

- > The 3981E box connects to a luminaire ordered with an EMB option (which has specific EM WIRING).
- > Consult our chart for maximum remote distance of EM battery to luminaire leds.
- > Establish desired location for EMB box & EM test button on box or on a wall.

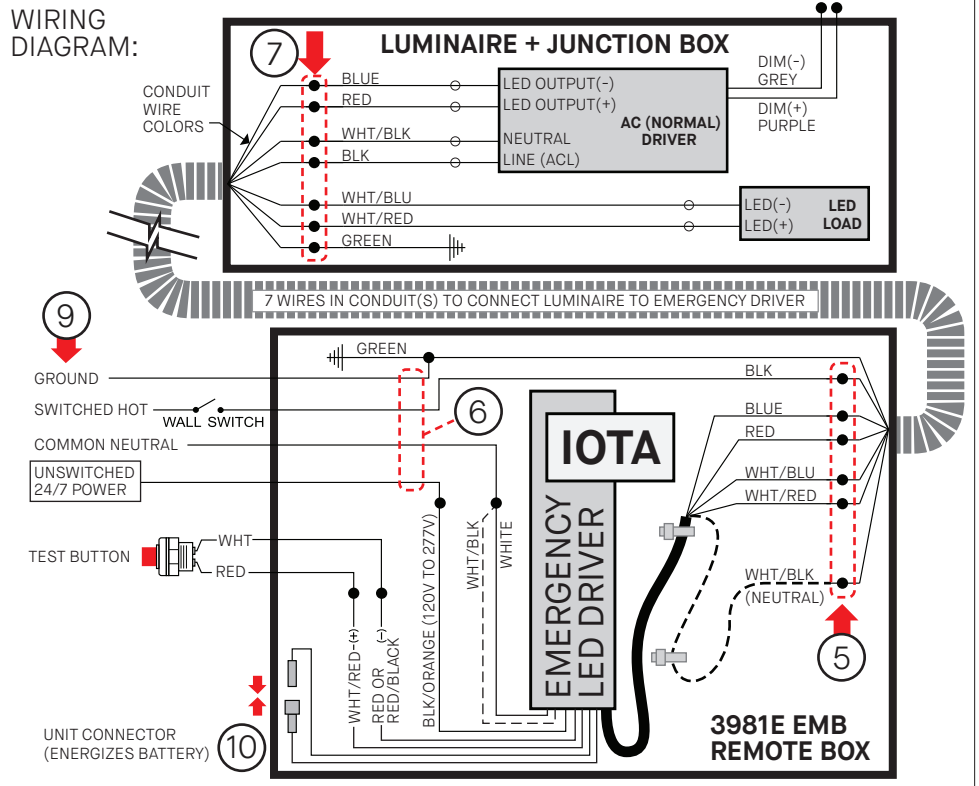
EM Remote Distance Chart
Maximum distance EM battery to Luminaire LEDs (Ft)

MAX EM BOX DISTANCE (Ft)	CONDUIT WIRE GAUGE (AWG)							
	10	12	14	16	18	20	22	
LUMINAIRE DRIVER OUTPUT CURRENT* (Amps)	200mA	350mA	500mA	700mA	1000mA	1400mA	2000mA	3000mA
	1043'	651'	413'	259'	163'	103'	65'	
	596'	372'	236'	148'	93'	59'	37'	
	417'	261'	165'	104'	65'	41'	26'	
	298'	186'	118'	74'	47'	29'	18'	
	209'	130'	83'	52'	33'	21'	13'	
	149'	93'	59'	37'	23'	15'	9'	
	104'	65'	41'	26'	16'	10'	6'	
	70'	43'	28'	17'	11'	7'	4'	

EMB PLACEMENT EXAMPLES :



WIRING DIAGRAM:



INSTALLATION

- 1 - REMOVE BOX COVER.
- 2 - IF CONNECTED, DISCONNECT THE EM BATTERY 'UNIT CONNECTOR' (WHITE).
- 3 - SCREW BOX TO MOUNTING SURFACE (SCREWS NOT SUPPLIED)
- 4 - RUN CONDUIT FROM EMB BOX TO ELECTRICAL JUNCTION BOX OF LUMINAIRE. CONDUIT MUST HAVE MIN. 7 WIRES AND WIRE GAUGE AS PER DISTANCE CHART.
- 5 - CONNECT CONDUIT WIRES TO EM BATTERY AS PER WIRING DIAGRAM.
CAREFULLY NOTE WHICH WIRE COLORS ARE CONNECTED TOGETHER ON EACH END.
- 6 - CONNECT BATTERY TO AC BRANCH CIRCUIT : GROUND, NEUTRAL, 24/7 UNSWITCHED LINE (HOT) AND SWITCHED LINE (ON SAME CIRCUIT AS LUMINAIRE ON/OFF CONTROL).
- 7 - INSTALL SPECIFIC EM LUMINAIRE, CONNECT WIRES TO CONDUIT USING THE SAME CORRESPONDING COLORS NOTED AT THE EM BATTERY-CONDUIT CONNECTION.
- 8 - INSTALL EM BATTERY TEST BUTTON IN DESIRED LOCATION. WALL PLATE BY OTHER. ADD LABELS "PUSH TO TEST" & CHARGING INDICATOR LIGHT".

- 9 - SWITCH ON AC POWER.
- 10 - JOIN THE EM BATTERY CONVERTOR CONNECTOR. 10.1 - INSTALL BOX COVER.
- 11 - IF EMB IS FAR FROM THE LUMINAIRE, IDENTIFY TO WHICH LUMINAIRE IT IS CONNECTED.

AT THIS POINT POWER SHOULD BE CONNECTED TO BOTH THE AC DRIVER AND THE EMERGENCY DRIVER & TEST/CHARGE LIGHT SHOULD ILLUMINATE, INDICATING BATTERY IS CHARGING.

TESTING & EM DRIVER/BATTERY MAINTENANCE:

CONDUCT A SHORT-TERM DISCHARGE TEST AFTER THE EMERGENCY DRIVER HAS BEEN CHARGED FOR MINIMUM ONE HOUR. CHARGE FOR 24 HOURS BEFORE CONDUCTING A LONG-TERM DISCHARGE TEST.

FOLLOW GUIDELINES FROM THE EM DRIVER/BATTERY MANUFACTURER INSTRUCTIONS FOR THE REQUIRED PERIODIC TESTING AND MAINTENANCE GUIDELINES.

3981E BOÎTE D'URGENCE À DISTANCE - DRIVER EM IOTA

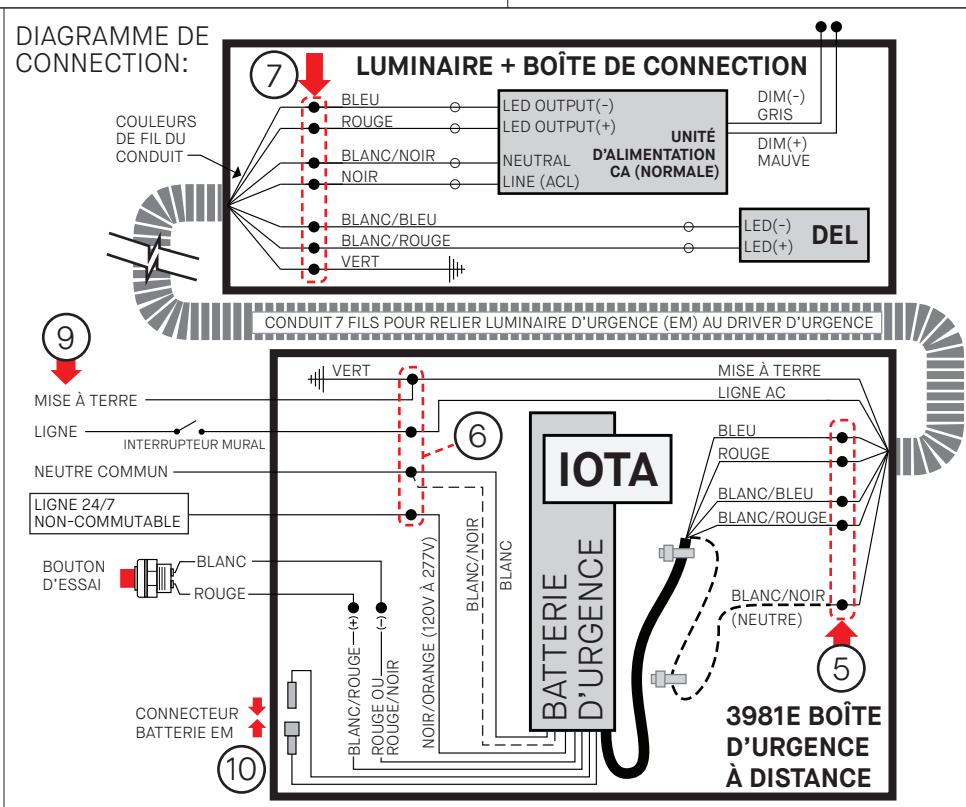
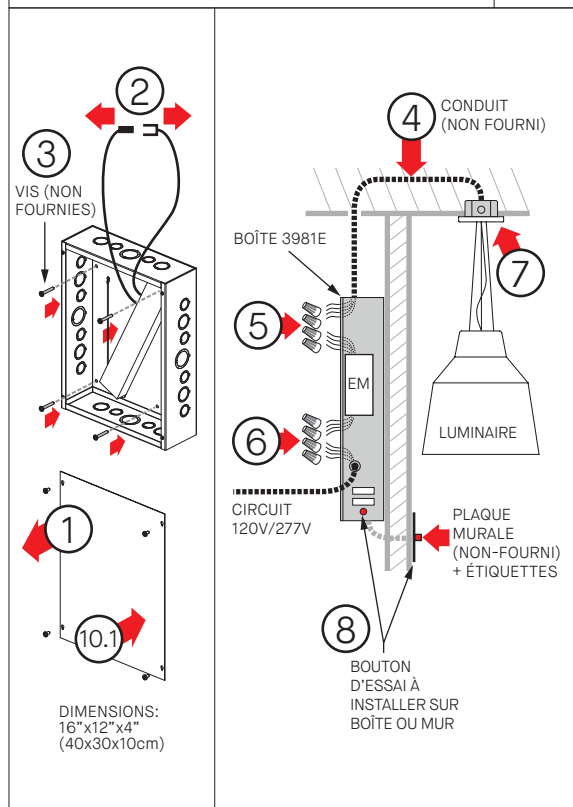
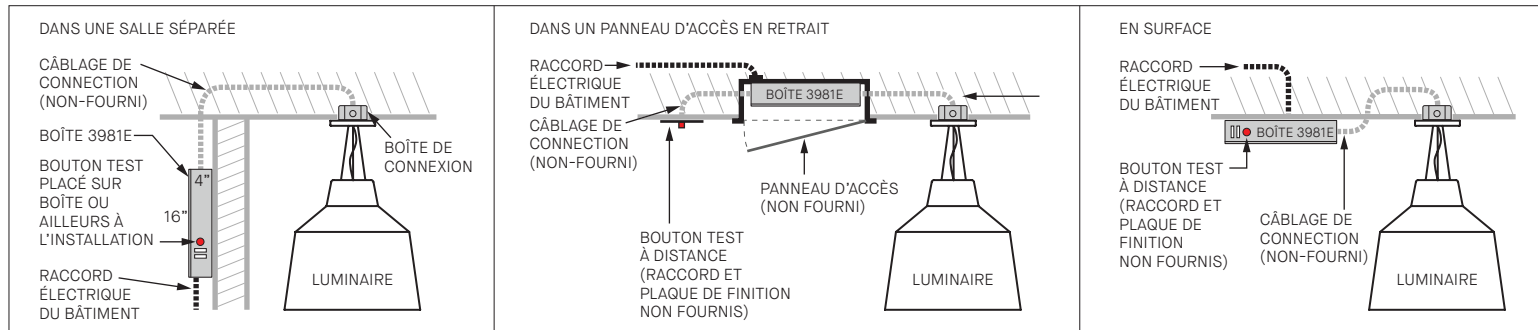
DIRECTIVES DE SÉCURITÉ:

- > Suivre les consignes de sécurité et les directives d'installation du fabricant de la batterie d'urgence.
- > Installer par du personnel qualifié conformément au code électrique national et local.
- > Fermer l'alimentation avant l'installation ou l'entretien.

EMPLACEMENT :

- > Cette boîte 3981E se connecte à un luminaire commandé avec l'option EMB (qui a du filage spécifique).
- > Consulter le tableau pour la distance maximale de la batterie d'urgence aux DELs du luminaire.
- > Déterminer l'emplacement souhaité pour la boîte EMB et le bouton de test d'urgence.

EXEMPLES D'EMPLACEMENT:



Charte de distance d'installation EM

Distance maximale entre Batterie d'urgence et DELs du luminaire (Pi)

DISTANCE MAX D'INSTALLATION (Pi)	GAUGE DE FILS DU CONDUIT (AWG)							
	10	12	14	16	18	20	22	
COURANT	200mA	1043'	651'	413'	259'	163'	103'	65'
ALIMENTATION DU LUMINAIRE*	350mA	596'	372'	236'	148'	93'	59'	37'
700mA	417'	261'	165'	104'	65'	41'	26'	
1000mA	298'	186'	118'	74'	47'	29'	18'	
*Contacter Eureka	1400mA	209'	130'	83'	52'	33'	21'	13'
	2000mA	149'	93'	59'	37'	23'	15'	9'
	3000mA	104'	65'	41'	26'	16'	10'	6'
		70'	43'	28'	17'	11'	7'	4'

INSTALLATION

- 1 - DÉVISSER LE COUVERCLE.
- 2 - DÉCONNECTER LE CONNECTEUR BLANC DE BATTERIE EM (UNIT CONNECTOR).
- 3 - FIXER LA BOÎTE SUR LE MUR/PALAFOND AVEC VIS (NON FOURNIES)
- 4 - PASSER DU CONDUIT DU EMB VERS LA BOÎTE DE CONNEXION ÉLECTRIQUE DE LUMINAIRE. LE CONDUIT DOIT AVOIR 7 FILS AVEC GAUGE DE FIL SELON CHARTRE DE DISTANCE.
- 5 - CONNECTER LES FILS DE CONDUIT À LA BATTERIE EM SELON LE SCHÉMA DE CÂBLAGE.
- 6 - CONNECTER LA BATTERIE AU CIRCUIT DE DÉRIVATION AC (FILS: MISE A LA TERRE, NEUTRE, LIGNE & LIGNE SANS INTERRUPTEUR 24H/7* (*DOIT ETRE LE MEME CIRCUIT QUE LE CONTROLE DU LUMINAIRE)).
- 7 - INSTALLER LUMINAIRE SPÉCIFIQUE EM, CONNECTER LES FILS AU CONDUIT AVEC MÊMES COULEURS CORRESPONDANTES DE LA BATTERIE EM AUX FILS DE CONDUIT.
- 8 - INSTALLEZ LE BOUTON D'ESSAI DE BATTERIE EM DANS L'ENDROIT SOUHAITÉ (PLAQUE MURALE PAR AUTRE). COLLER ÉTIQUETTES "PUSH TO TEST" & CHARGING INDICATOR LIGHT".

- 9 - ALIMENTER LE CIRCUIT AC.
- 10 - JOINDRE CONNECTEUR BLANC DE BATTERIE EM. 10.1 - INSTALLER COUVERCLE DE BOITE.
- 11 - SI LE EMB EST LOIN DU LUMINAIRE, IDENTIFIER À QUEL LUMINAIRE IL EST CONNECTÉ.

A CE STADE, L'ALIMENTATION DEVRAIT ÊTRE CONNECTÉE À L'UNITÉ D'ALIMENTATION AC ET LA BATTERIE D'URGENCE ET LA LUMIÈRE DE TEST/CHARGE S'ILLUMINE, INDIQUANT QUE LA BATTERIE SE CHARGE.

ESSAIS & ENTRETIEN DE LA BATTERIE:

FAITES UN TEST DE DÉCHARGE À COURT TERME APRÈS AVOIR CHARGÉ LA BATTERIE D'URGENCE AU MINIMUM UNE HEURE. CHARGEZ 24 HEURES AVANT D'EFFECTUER UN TEST DE DÉCHARGE À LONG TERME.

SUIVRE LES DIRECTIVES DU FABRICANT DE BATTERIE / CONDUCTEUR EM (SITE WEB) POUR LES DIRECTIVES PÉRIODIQUES REQUISES EN MATIÈRE DE TEST ET D'ENTRETIEN.